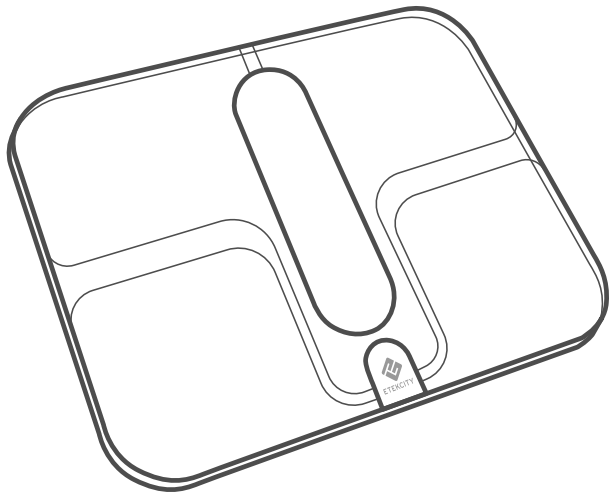




Smart Fitness Scale

Model: ESF00+ Series

User Manual



Thank you for purchasing the
Smart Fitness Scale by Etekcity.

If you have any questions or concerns, please reach out to our helpful Customer Support Team at support@etekcity.com.
We hope you enjoy your new scale!

Table of Contents

Package Contents	3
Specifications	3
Safety Information	4
Function Diagram	6
Digital Display	7
VeSync App Setup	8
Using the Smart Scale	10
• Weighing without the VeSync App	10
Maintenance	11
Troubleshooting	14
Warranty Information	18
Customer Support	19

Package Contents

1 x Smart Fitness Scale
1 x USB Charging Cable
1 x Quick Start Guide

Specifications

Weight Capacity	400 lb / 28 st / 180 kg
Graduation	0.1 lb / 0.05 kg
Weight Units	lb / st / kg
Platform	ITO-coated glass
Dimensions	14.8 x 11.8 x 1.0 in / 375 x 300 x 24 mm
Battery Type	1000mAh Li-ion battery
Charging Time	3 hours
Input	DC 5V, 500mA
Auto-Off	30 seconds

READ AND SAVE THESE INSTRUCTIONS

Safety Information

Please read and follow all instructions and safety guidelines in this manual.

Medical

- This scale should not be used to diagnose or treat any medical condition.
- Scale data should not be used as a substitute for medical advice from a healthcare professional.
- This scale uses a harmless electrical current to measure body fat. Consult a healthcare professional before using the smart scale if you use medical electronic equipment such as a pacemaker.

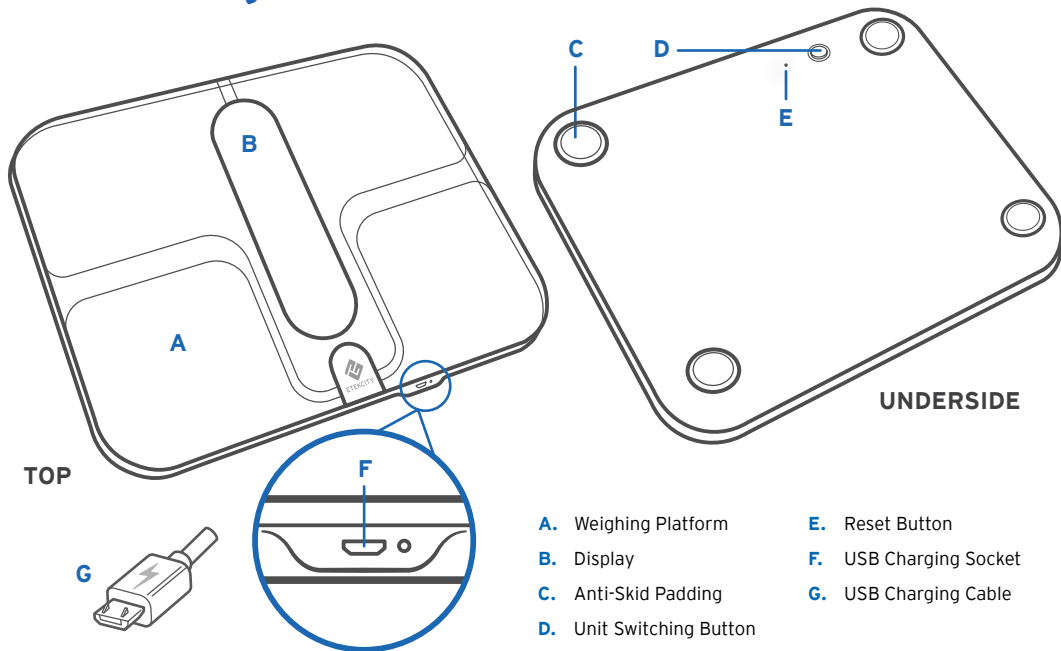
General Use

- Check the scale before using. **Do not** use the scale if it is damaged in any way.
- **Do not** strike or hit the scale. **Do not** use the scale if the glass is cracked or broken. Due to the nature of tempered glass, the glass will shatter if there is even a slight crack. If you see a crack, contact **Customer Support** immediately (page 19).
- The glass platform is slippery when wet. **Always** make sure the platform and your feet are dry before stepping on for

measurement.

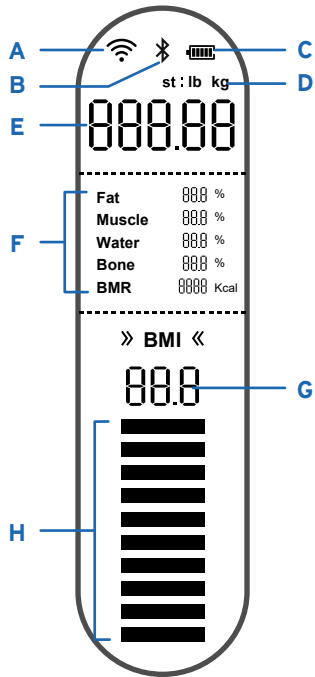
- Place the scale on a hard, flat surface to avoid tipping.
- To weigh safely and accurately, stand with your feet shoulder-width apart while on the scale. **Do not** stand on the edge of the scale or jump on the scale.
- Avoid standing on the scale for a long period of time, or when not weighing yourself.
- **Do not** overload the scale. Maximum weight capacity is 400 lb / 28 st / 180 kg.
- Keep the scale in a cool area with low humidity. Keep the scale away from heat sources, such as ovens or heaters. Avoid temperature fluctuations. Store the scale in a horizontal position, not vertical.
- **Do not** use while charging. Remove the power cord before using.
- Handle with care. Not for commercial use. Household use **only**.

Function Diagram



Digital Display

- A. WiFi Icon
- B. Bluetooth® Icon
- C. Battery Life Indicator
- D. Weight Units
- E. Weight Measurement
- F. Fat/Muscle/Water/Bone/BMR Measurement
- G. BMI Measurement
- H. BMI Tooltips



VeSync App Setup

Note: Due to app updates and improvements, the contents of this manual may change without notice. The VeSync app user interface may appear slightly different.

1. To download the VeSync app, scan the QR code or search "VeSync" in the Apple App Store® or Google Play Store.

Note:

- This scale uses the VeSync app, not the VeSyncFit app.
- For Android™ users, you may need to select **Allow** to use VeSync.

2. Open the VeSync app. If you already have an account, tap **Log In**. To create a new account, tap **Sign Up**.

Note: You must create your own VeSync account to use third-party services and products. These will not work with a guest account. With a VeSync account, you can also allow your family and friends to use your smart fitness scale.



3. Make sure the scale is fully charged.
4. Make sure your phone has Bluetooth® turned on.
5. Tap **+** in the VeSync app and select your smart fitness scale.
6. Follow the in-app instructions to connect to your smart fitness scale.

Note: You can change the name and icon at any time in the smart fitness scale settings.

Creating a User

If you are a new user, you will need to enter physical information before weighing yourself for the first time so the scale can calculate your body metrics. Follow the in-app instructions to create a user.

Note:

- *Entering inaccurate information will make the scale's measurements less accurate.*
- *If you don't identify with the available gender options, or are unsure, pick the option that you think best physically matches you. This choice is used for physical measurements, such as body fat percentages.*

Using the Smart Scale

Note:

- To switch between pounds (lb), stone (st), and kilograms (kg), press the unit switching button on the underside of the scale.
- If you are pregnant, scale measurements will not be accurate.



Figure 1.1

Weighing without the VeSync App

1. Place the scale on a hard, flat surface. [Figure 1.1]
2. Step on the scale, then step off. Wait for the screen to display “0.000” before using.
3. Place dry, bare feet on the scale’s conductive areas. Stand on the scale until the display flashes several times, showing your final measurement. [Figure 1.2]

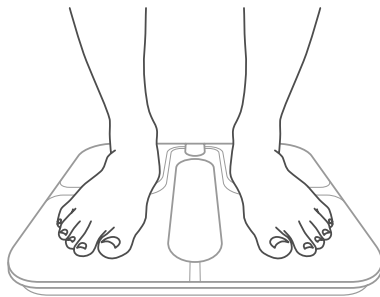


Figure 1.2

Maintenance

Clearing the Scale

If the scale has been moved or flipped upside down, it must be cleared to ensure accurate results.

1. Place the scale on a hard, flat surface.
2. Step on the scale until digits appear on the display, then step off. *[Figure 3.1]*
3. The scale will show “0000” when cleared. *[Figure 3.2]*

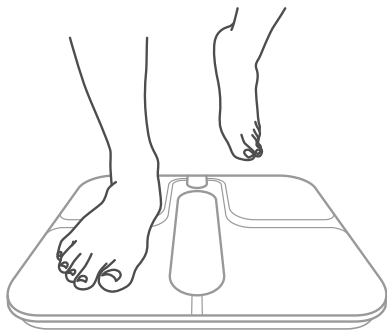


Figure 3.1


Cleaning the Scale

- Use a slightly damp cloth to clean the surface of the scale, followed by a soft, dry cloth to wipe away any remaining moisture.
- **Do not** use chemical or abrasive cleaning agents to clean the scale.




Figure 3.2

Charging the Battery

The display will show “” when the battery needs to be charged.

1. Insert the USB charging cable into the USB charging socket. [\[Figure 4.1\]](#)
2. Plug the USB charging cable into a DC 5V adapter and plug into an outlet. You can also plug the cable into a powered USB outlet. [\[Figure 4.1\]](#)

3. The bars in the battery symbol () will continuously fill as the scale charges. When charged, the symbol will be filled.

Note:

- *Charging time is about 3 hours.*
- *For best results, fully charge your scale before using.*

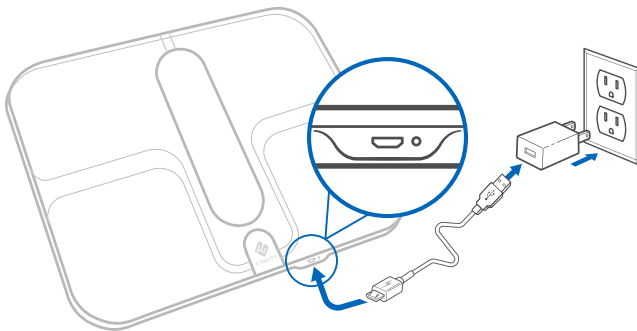


Figure 4.1

Display Messages

 lb kg 000.00 Bluetooth Connection	 lb kg 000.00 No Connection
--	---

 lb kg 000.00 WiFi Connection	WiFi Icon Flashes  lb kg 000.00 WiFi Connection in Progress
---	--

Lo Change Battery	Err Overload	[Clearing
----------------------	-----------------	---------------

Troubleshooting

1. The scale doesn't turn on.

- The scale may need to be charged. Plug it in and charge for 3 hours.

2. Nothing happens when I press the unit button.

- The scale may need to be reset. Use a safety pin or paper clip to press the "Reset" button on the underside of the scale.

3. Information flashes on the screen and then disappears.

- The battery is low and may need to be charged.

4. The scale doesn't connect with the VeSync app.

- Make sure your phone's operating system is running on iOS™ 10.0+ or Android™ 5.0+.
- Close and relaunch the VeSync app. Make sure you're using the latest version.
- Turn on Bluetooth on your phone (for Android users, make sure your Location is turned on as well).
- Make sure your scale and phone are within 30 ft / 10 m of each other.
- Make sure the scale is not currently connected to any other phone or app.
- Try turning off any VPN apps.
- The scale may need to be reset. Use a safety pin or paper clip to press the "Reset" button on the underside of the scale.

5. My scale will only measure my weight, or only my weight and BMI.

- Set up your smart scale in the VeSync app. Your BMI, Fat, Muscle, Water, Bone, and BMR measurements will show on the display, and more results will show on the app.
- Make sure Bluetooth is turned on.
- If you're wearing shoes or socks, the scale cannot measure health metrics such as body fat. Step on the scale with bare feet. [Figure 5.1]

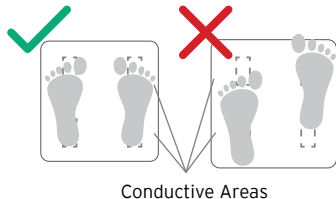


Figure 5.1

Note: Resetting the scale will fix many issues.

- A. To clear user data from the scale, press and hold the unit button on the underside of the scale for 10 seconds.
- B. To hard reset the scale, use a safety pin or paper clip to press the "Reset" button on the underside of the scale.

If you still need help, please contact **Customer Support** (see page 19).

Federal Communication Commission Interference Statement

This device complies with Part 15 of the FCC Rules. Operation is subject to the following two conditions:

- (1) This device may not cause harmful interference, and
- (2) This device must accept any interference received, including interference that may cause undesired operation.

NOTE: This equipment has been tested and found to comply with the limits for a Class B digital device, pursuant to Part 15 of the FCC Rules. These limits are designed to provide reasonable protection against harmful interference in a residential installation. This equipment generates, uses and can radiate radio frequency energy and, if not installed and used in accordance with the instructions, may cause harmful interference to radio communications. However, there is no guarantee that interference will not occur in a particular installation. If this equipment does cause harmful interference to radio or television reception, which can be determined by turning the equipment off and on, the user is encouraged to try to correct the interference by one or more of the following measures:

- Reorient or relocate the receiving antenna.
- Increase the separation between the equipment and receiver.
- Connect the equipment into an outlet on a circuit different from that to which the receiver is connected.
- Consult the dealer or an experienced radio/TV technician for help.

FCC Caution: Any changes or modifications not expressly approved by the party responsible for compliance could void the user's authority to operate this equipment.

FCC Radiation Exposure Statement

This equipment complies with FCC radiation exposure limits set forth for an uncontrolled environment. End users must follow the specific operating instructions for satisfying RF exposure compliance. To maintain compliance with FCC RF exposure compliance requirements, please follow operation instructions as documented in this manual. This transmitter must not be co-located or operating in conjunction with any other antenna or transmitter. The availability of some specific channels and/or operational frequency bands are country dependent and are firmware programmed at the factory to match the intended destination. The firmware setting is not accessible by the end user.

Attributions

iOS is a registered trademark of Cisco Systems, Inc. and/or its affiliates in the United States and certain other countries.

Apple App Store is a trademark of Apple Inc.

Android and Google Play are trademarks of Google LLC.

The Bluetooth® word mark and logos are registered trademarks owned by Bluetooth SIG, Inc. and any use of such marks by Etekcity Corporation is under license. Other trademarks and trade names are those of their respective owners.

Warranty Information

Product Name	Smart Fitness Scale
Model	ESF00+ Series
Default Warranty Period	2 years
<i>For your own reference, we strongly recommend that you record your order ID and date of purchase.</i>	
Order ID	
Date of Purchase	

Terms & Policy

Eteckcity Corporation (“Eteckcity”) warrants this product to the original purchaser to be free from defects in material and workmanship, under normal use and conditions, for a period of **2 years** from the date of original purchase.

Eteckcity agrees, at our option during the warranty period, to repair any defect in material or workmanship or furnish an equal product in exchange without charge, subject to verification of the defect or malfunction and proof of the date of purchase.

There is no other express warranty. This warranty does not apply:

- If the product has been modified from its original condition;
- If the product has not been used in accordance with directions and instructions in the user manual;
- To damages or defects caused by accident, abuse, misuse or improper or inadequate maintenance;
- To damages or defects caused by service or repair of the product performed by an unauthorized service provider or by anyone other than Eteckcity;
- To damages or defects occurring during commercial use, rental use, or any use for which the product is not intended;
- To damages or defects exceeding the cost of the product.

Eteckcity will not be liable for indirect, incidental, or consequential damages in connection with the use of the product covered by this warranty.

This warranty extends only to the original consumer purchaser of the product and is not transferable to any subsequent owner of the product regardless of whether the product is transferred during the specified term of the warranty.

This warranty does not extend to products purchased from unauthorized sellers. Eteckcity’s warranty extends only to products purchased from authorized sellers that are subject to Eteckcity’s quality controls and have agreed to follow its quality controls.

All implied warranties are limited to the period of this limited warranty.

This warranty gives you specific legal rights and you may also have other rights which vary from state to state. Some states do not allow the exclusion or limitation of incidental or consequential damages, so the above limitation or exclusion may not apply to you.

If you discover that your product is defective within the specified warranty period, please contact Customer Support via **support@etekcity.com**. **DO NOT** dispose of your product before contacting us. Once our Customer Support Team has approved your request, please return the product with a copy of the invoice and order ID.

Every Etekcity product automatically includes a 2-year warranty. To make the customer support process quick and easy, register your product online at www.etekcity.com/warranty.

This warranty is made by:

Etekcity Corporation
1202 N. Miller St., Suite A
Anaheim, CA 92806

Customer Support

If you encounter any issues or have any questions about your new product, please contact our helpful Customer Support Team.

Customer Support

Etekcity Corporation

1202 N. Miller St., Suite A
Anaheim, CA 92806

Email: support@etekcity.com

Toll-Free: (855) 686-3835

Support Hours

Mon-Fri, 9:00 am-5:00 pm PST/PDT

*Please have your invoice and order ID ready before contacting Customer Support.



Connect with us @Etekcity

