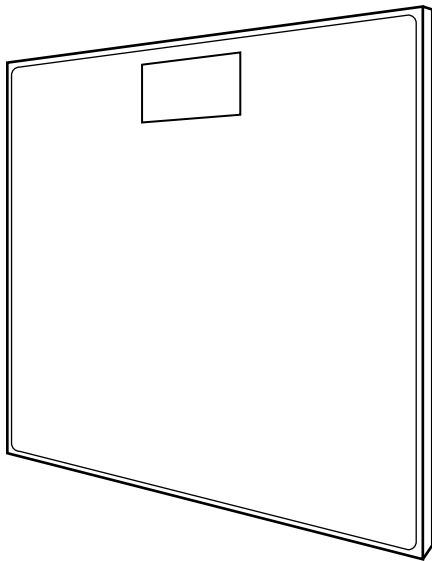




Digital Body Weight Scale

Model No. EB9388H



Questions or Concerns?

(855) 686-3835

support@etekcity.com

Thank you for purchasing the Digital Body Weight Scale by Etekcity. This device can help you reach your physical goals by conveniently allowing you to measure body weight with reliable accuracy. Calculate and meet personal goals with simple step-on activation. Designed with a stainless steel platform cover, the scale is easy to clean and accents any home decor with a subtle modern touch. Get fit with the whole family. The EB9388H makes healthy living simple with high accuracy and convenient automation.

We're constantly working at building better living with the products and services we create. Should you ever experience any issues with your new product, feel free to contact our helpful customer service team via e-mail at support@etekcity.com.



Safety Information

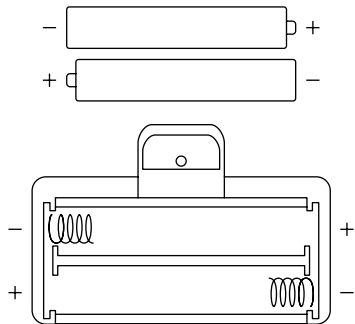
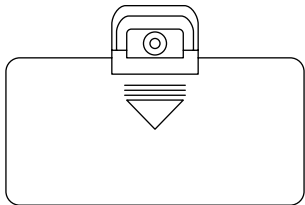
IMPORTANT: Please read, understand, and comply with all of the instructions provided in this manual before using the device. Failure to comply with the instructions given in this manual and/or using the device in ways other than the ones mentioned in this manual may result in serious injury and/or damage to the product.

- The stainless steel platform is slippery when wet. Make sure the platform is dry before stepping on for measurement.
- Consult your primary-care doctor or physician before making changes to your diet, exercise plans and/or physical activities.
- This scale is not intended for commercial use.
- To weigh safely and accurately, please stand in the center of the platform and stand still until a result is calculated.
- **DO NOT** strike or drop the scale.
- **DO NOT** stand on the edge of the scale or jump on it.
- **DO NOT** stand on the scale platform for a prolonged period of time or when not in weighing operation.
- Always place the scale on a hard, dry and flat surface before measurement.
- Handle the scale with care, as it is a precision instrument.
- Clean the scale with a damp cloth and avoid getting water or any other liquid inside the scale.
- **DO NOT** use chemical or abrasive cleaning agents to clean the scale.
- Keep the scale in a cool environment with dry air. Always keep the scale in a horizontal position, do not store vertically.
- If the scale fails to turn on, check whether the batteries are installed correctly. Replace the batteries if necessary.
- If an error appears on the display or if the scale does not turn off automatically, remove the batteries for 3 seconds, then reinstall them.
- **DO NOT** overload the scale (max. weight capacity: 180 kg / 400 lb).
- If the scale is not in use for an extended period of time, remove the batteries to ensure battery conservation and to extend the scale service lifetime.
- Check the scale before using. Do not use the scale if it is damaged in any way.
- **Do not** strike or hit the scale. Do not use the scale if the glass is cracked or broken.
- While tempered glass is stronger and fractures more safely than ordinary glass, it may shatter unexpectedly after developing a slight crack. If you see a crack, contact Customer Support immediately.



Set-Up

The 2 AAA 1.5V batteries are preinstalled in the scale battery compartment. Open the battery compartment cover located on the backside of the scale and remove the plastic film from the batteries. Re-apply the batteries under the correct polarity and re-seal the battery compartment in order to activate the scale.

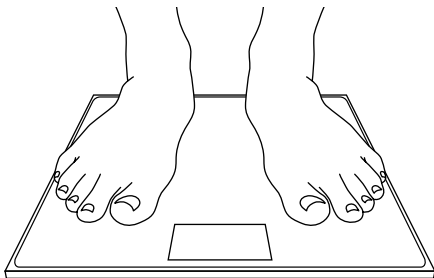




Operation

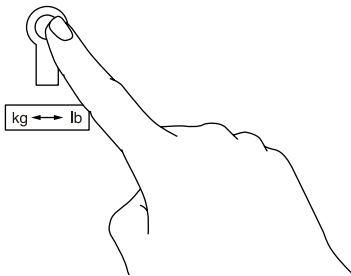
Weight Measurement

1. For best accuracy, place the scale on a hard, flat floor. Avoid carpet or soft surfaces.
2. Step on the scale, then step off. Wait for the screen to display " 0.0 " before using.
3. Stand on the scale until the display flashes several times, showing your final measurement.



Converting Weight Units

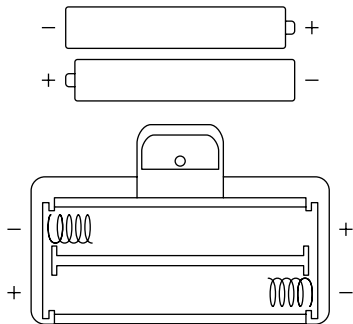
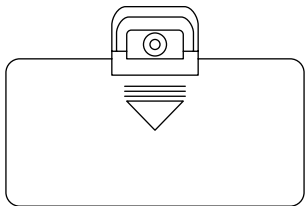
Apply pressure on the scale platform to activate the scale. Then, press the unit conversion button located on the backside of the scale to convert between pounds and kilograms. The LCD display will show the new unit of measurement as you switch.



Battery Replacement

1. Open the battery compartment cover on the backside of the scale.
2. Take out the used batteries and dispose them properly.
3. Install 2 new AAA 1.5V batteries, taking note of the correct polarity displayed within the battery compartment.

NOTE: The scale may need to be cleared after replacing the batteries.





Specifications

- Weight Capacity: 400 lb / 180 kg
- Graduation: 0.2 lb / 0.1 kg
- Weight Units: lb / kg
- Platform: Tempered glass & Stainless steel
- LCD Display: 74 x 40 mm
- Battery: 2 x 1.5V AAA batteries
- Auto-off: ~15 seconds
- Dimensions: 300 x 300 x 22 mm

Package Contents

- 1 x Digital Body Weight Scale EB9388H
- 1 x Quick Start Guide
- 2 x 1.5V AAA batteries (pre-installed)



Troubleshooting

Message

Reason

Solution

"Err"	Scale overload. Maximum weight capacity: 400 lb (180 kg).	Step off the scale to avoid damage.
"Lo"	Battery power is low.	Install new batteries.
"C"	Scale needs to be cleared.	Please place the scale on a flat surface and wait for it to be cleared before using it.



Warranty Information

Product Name	<i>Digital Body Weight Scale</i>
Model	<i>EB9388H</i>
For your own reference, we strongly recommend that you record your order ID and date of purchase.	
Order ID	
Date of Purchase	

Terms & Policy

Etekcity Corporation (“Etekcity”) warrants this product to the original purchaser to be free from defects in material and workmanship, under normal use and conditions, for a period of 2 years from the date of original purchase.

Etekcity agrees, at our option during the warranty period, to repair any defect in material or workmanship or furnish an equal product in exchange without charge, subject to verification of the defect or malfunction and proof of the date of purchase.

There is no other express warranty. This warranty does not apply:

- If the product has been modified from its original condition;
- If the product has not been used in accordance with directions and instructions in the user manual;
- To damages or defects caused by accident, abuse, misuse or improper or inadequate maintenance;
- To damages or defects caused by service or repair of the product performed by an unauthorized service provider or by anyone other than Etekcity;
- To damages or defects occurring during commercial use, rental use, or any use for which the product is not intended;
- To damages or defects exceeding the cost of the product.

Etekcity will not be liable for indirect, incidental, or consequential damages in connection with the use of the product covered by this warranty.

This warranty extends only to the original consumer purchaser of the product and is not transferable to any subsequent owner of the product regardless of whether the product is transferred during the specified term of the warranty.

This warranty does not extend to products purchased from unauthorized sellers. Etekcity's warranty extends only to products purchased from authorized sellers that are subject to Etekcity's quality controls and have agreed to follow its quality controls.

All implied warranties are limited to the period of this limited warranty.

This warranty gives you specific legal rights and you may also have other rights which vary from state to state. Some states do not allow the exclusion or limitation of incidental or consequential damages, so the above limitation or exclusion may not apply to you.

If you discover that your product is defective within the specified warranty period, please contact Customer Support via support@etekcity.com. DO NOT dispose of your product before contacting us. Once our

Customer Support Team has approved your request, please return the product with a copy of the invoice and order ID.

Every Etekcity product automatically includes a 2-year warranty. To make the customer support process quick and easy, register your product online at www.etekcity.com/warranty.

This warranty is made by:

Etekcity Corporation
1202 N. Miller St., Suite A
Anaheim, CA 92806



Customer Support

If you have any questions or concerns about your new product, please contact our helpful Customer Support Team.

Etekcity Corporation

1202 N. Miller St., Suite A
Anaheim, CA 92806

Support Hours

Mon-Fri, 9:00 am-5:00 pm PST/PDT

Email: support@etekcity.com

Toll-Free: (855) 686-3835

**Please have your order invoice and order ID ready before contacting Customer Support.*



21103_us