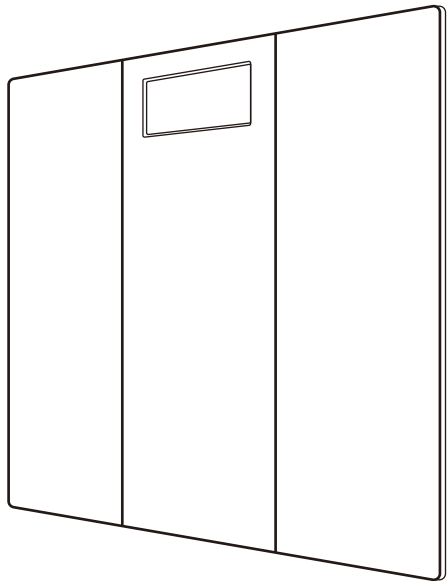




Digital Body Weight Scale

Model No.: EB4074S



Thank You.

Thank you for purchasing the EB4074S Digital Body Weight Scale by Etekcity. We are dedicated to providing our customers with quality products for building a better living. Should you have any questions or concerns about using your new product, feel free to reach out to our helpful customer support team at (855) 686-3835 or by email at support@etekcity.com. We hope you enjoy your new product!

Package Contents

- 1 x Digital Body Weight Scale
- 1 x User Manual
- 2 x 1.5V AAA batteries (pre-installed)

Table of Contents

Safety Information	4
Main Functions	5
Set-Up	6
Operation	7
Maintenance	8
Specifications	10
Troubleshooting	11
Warranty	12
Customer Support	14

Safety Information

IMPORTANT: Please read and comply with all of the instructions and warnings provided in this manual before using the product. Failure to comply with the instructions and warnings provided herein may result in inaccurate results and/or damage to the product itself.

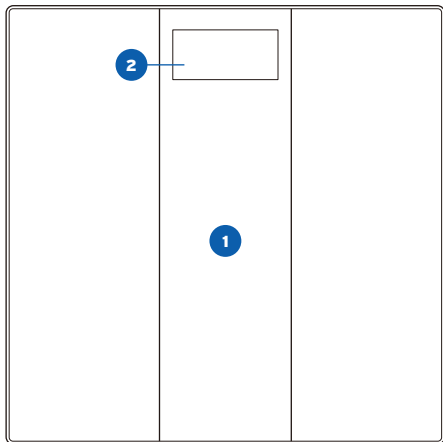
- The glass platform is slippery when wet. Make sure the platform is dry before stepping on for measurement.
- Consult your primary-care doctor or physician before making changes to your diet, exercise plans, and/or physical activities.
- This scale is not intended for commercial use.
- To weigh safely and accurately, please stand on the center of the platform and stand still until a result is calculated.
- **DO NOT** strike or drop the scale.
- **DO NOT** stand on the edge of the scale or jump on it.
- **DO NOT** stand on the scale platform for a prolonged period of time or when not in weighing operation.
- Always place the scale on a hard, dry, and flat

surface before measurement.

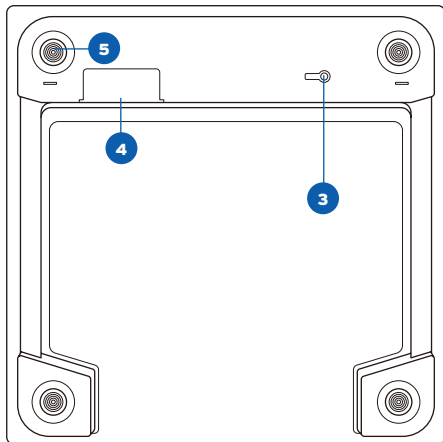
- Handle the scale with care, as it is a precision instrument.
- Clean the scale with a damp cloth and avoid getting water or any other liquid inside the scale.
- **DO NOT** use chemical or abrasive cleaning agents to clean the scale.
- Keep the scale in a cool environment with dry air.
- Always keep the scale in a horizontal position; do not store vertically.
- If the scale fails to turn on, check whether the batteries are installed correctly. Replace the batteries if necessary.
- If an error appears on the display or if the scale does not turn off automatically, remove the batteries for 3 seconds, then reinstall them.
- **DO NOT** overload the scale (max. weight capacity: 400 lb / 180 kg).
- If the scale is not in use for an extended period of time, remove the batteries to ensure battery conservation and to extend the scale service lifetime.

Main Functions

1. Scale platform
2. Digital display
3. Unit selection

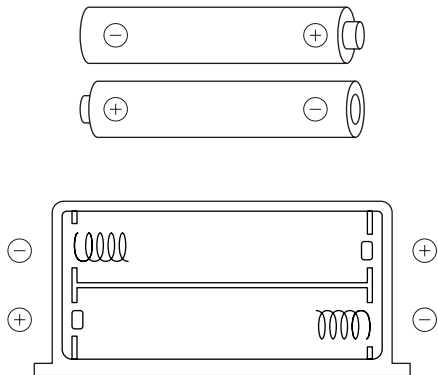
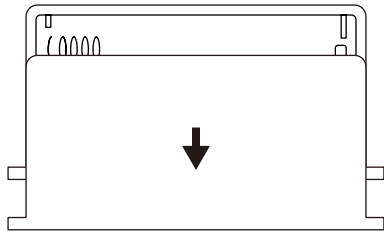


4. Battery compartment
5. Anti-skid padding



Set-Up

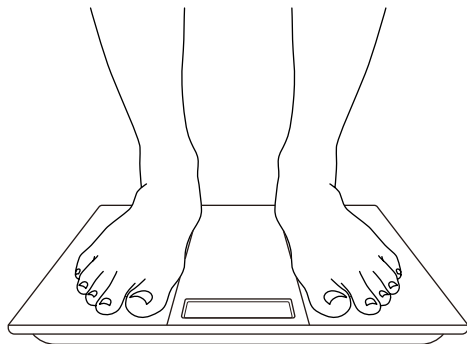
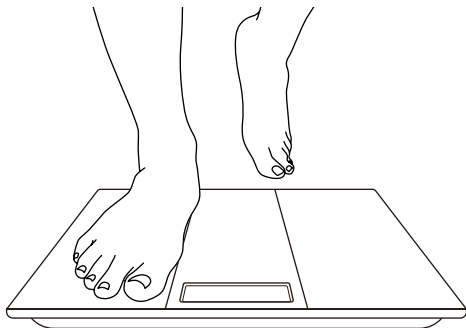
Open the battery compartment cover located on the back of the scale. Remove the two 1.5V AAA batteries from their plastic film and apply the batteries under the correct polarity. Reseal the battery compartment in order to activate the scale.



Operation

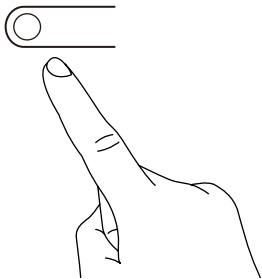
Weight Measurement

1. For best results, place the scale on a hard, flat surfaces. Avoid carpet or soft surfaces.
2. Step on the scale, then step off. Wait for the screen to display " 0.0 " before using.
3. Stand on the scale until the display flashes several times, showing your final measurement.



Converting Weight Units

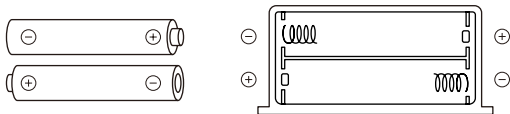
1. Apply pressure onto the weighing platform to activate the scale.
2. Press the unit conversion button on the back of the scale to convert units from pounds (lb) to kilograms (kg).
3. Place the scale back onto a hard, flat surface when you are ready to measure.



Maintenance

Battery Replacement

1. Open the battery compartment on the back of the scale.
2. Remove the old batteries and dispose of them properly.
3. Install two new 1.5V AAA batteries, making sure they are placed under the correct polarity.
4. Replace the battery compartment cover.

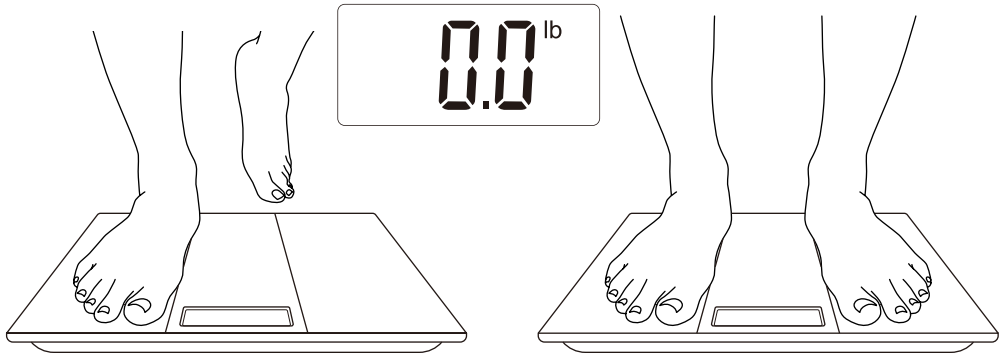


NOTE: The scale may need to be cleared after replacing the batteries.

Clearing the Scale

If the scale has been moved or flipped upside down, it must be cleared to ensure accurate results.

1. Place the scale on a hard, flat surface.
2. Step on the scale until digits appear on the display, then step off.
3. The scale will show " 0.0 " when cleared.



Specifications

Weight Capacity:	400 lb (180 kg)
Graduation:	0.2 lb (0.1 kg)
Weight Units:	lb kg
Battery:	2 x 1.5V AAA batteries
Platform:	Tempered Glass
Auto-off:	15 seconds
LCD Display:	2.9" x 1.5" (74 x 38 mm)
Dimensions:	11.8" x 11.8" x 0.7" (300 x 300 x 18mm)

Troubleshooting

Error Message	Reason	Solution
"Err"	Maximum weight capacity has been exceeded.	Step off the scale to avoid damage.
	Item being weighed is too light.	Remove item and use a smaller scale to measure object.
"Lo"	Low battery.	Replace the batteries as noted in the Battery Replacement section.
"C"	Scale needs to be cleared.	Please place the scale on a flat surface and wait for it to be cleared before using it.
Scale is not turning on.	Batteries may be incorrectly installed.	Take out batteries and reinstall them under the correct polarity.
	Batteries may need to be replaced.	Replace batteries.
	Light does not come on when stepping on scale.	Scale may be broken. Contact customer support

Warranty

Product	EB4074S Digital Body Weight Scale
Default Warranty Period	2 years
For your own reference, we strongly recommend that you record your Order Number and date of purchase.	
Order Number:	
Date of Purchase:	

TERMS & POLICY

Etekcitey Corporation (“Etekcitey”) warrants this product to the original purchaser to be free from defects in material and workmanship, under normal use and conditions, for a period of 2 years from the date of original purchase.

Etekcitey agrees, at our option during the warranty period, to repair any defect in material or workmanship or furnish an equal product in exchange without charge, subject to verification of the defect or malfunction and proof of the date of purchase.

There is no other express warranty. This warranty does not apply:

- If the product has been modified from its original condition;
- If the product has not been used in accordance with directions and instructions in the user manual;
- To damages or defects caused by accident, abuse, misuse or improper or inadequate maintenance;
- To damages or defects caused by service or repair of the product performed by an unauthorized service provider or by anyone other than Etekcitey;
- To damages or defects occurring during commercial use, rental use, or any use for which the product is not intended;
- To damages or defects exceeding the cost of the product.

Etekcitey will not be liable for indirect, incidental, or consequential damages in connection with the use of the product covered by this warranty.

This warranty extends only to the original consumer purchaser of the product and is not transferable to any subsequent owner of the product regardless of whether the product is transferred during the specified term of the warranty.

This warranty does not extend to products purchased from unauthorized sellers. Etekcitey’s warranty extends only to products purchased from authorized sellers that are subject to Etekcitey’s quality controls and have agreed to follow its quality controls.

All implied warranties are limited to the period of this limited warranty.

This warranty gives you specific legal rights and you may also have other rights which vary from state to state. Some states do not allow the exclusion or limitation of incidental or consequential damages, so the above limitation or exclusion may not apply to you.

If you discover that your product is defective within the specified warranty period, please contact Customer Support via **support@etekcity.com**. **DO NOT** dispose of your product before contacting us. Once our Customer Support Team has approved your request, please return the product with a copy of the invoice and order ID.

Every Etekcity product automatically includes a 2-year warranty. To make the customer support process quick and easy, register your product online at www.etekcity.com/warranty.

This warranty is made by:

Etekcity Corporation
1202 N. Miller St., Suite A
Anaheim, CA 92806

Customer Support

Should you encounter any issues or have any questions regarding your new product, feel free to contact our helpful Customer Support Team. Your satisfaction is ours!

Customer Support

Etekcite Corporation
1202 N. Miller St. Suite A
Anaheim, CA 92806

Toll-Free: (855) 686-3835

Fax: (657) 202-1693

Local: (657) 500-1872

Email: support@etekcity.com

Support Hours

Monday - Friday:

9:00 am - 5:00 pm PST

**Please have your order ID number ready before contacting customer support.*

Connect with us @Etekcity



